

# 汽车行业加工解决方案

Manufacturing Solutions for Automotive Industry



+ 华东大区  
Eastern China Region

上海市青浦区华新镇华隆路1777号D栋610室  
Add: Room 610 Building D No. 1777 Hualong Road  
Huaxin Town Qingpu District Shanghai  
Tel: +86-592-7301561

+ 华南大区  
Southern China Region

广东省东莞市长安镇锦厦聚和机械模具五金城D1区49A号  
Add: No. 49A D1 District Jinxia Juhe Machinery Mould  
Hardware Commercial District Chang'an Town  
Dongguan City Guangdong Province  
Tel: +86-592-7310203

+ 西部大区  
West Region

四川省成都市成华区建材路隆鑫九熙三期一栋2119  
Add: Room 2119 Building 1 Longxin Jiuxi Phase III  
Jiancai Road Chenghua District Chengdu City  
Sichuan Province  
Tel: +86-592-7306375

+ 华北大区  
Northern China Region

天津市西青区碧祥路新津国际新兴园6-2-701  
Add: 6-2-701 Xinjin International Xinxing Park Bixiang Road Xiqing  
District Tianjin  
Tel: +86-592-7301126

+ 东北大区  
Northeast Region

辽宁省沈阳市铁西区建设东路158号（华润铁西中心）2109号  
Add: No. 2109 (China Resources Tiexi Center) No. 158 Jianshe East  
Road Tiexi District Shenyang City Liaoning Province  
Tel: +86-592-7306375

+ 华中大区  
Central China Region

湖北省武汉市经济技术开发区创业路12号嘉昱商务中心B座1304-1307号  
Add: No. 1304-1307 Block B Jiayu Business Center No. 12 Chuangye  
Road Wuhan Economic and Technological Development Zone Hubei  
Province  
Tel: +86-592-7310203

厦门金鹭特种合金有限公司  
XIAMEN GOLDEN EGRET SPECIAL ALLOY CO.,LTD.

地址: 中国厦门市湖里区兴隆路69号  
Add: No.69 Xinglong Road Huli District Xiamen CHINA  
工厂地址: 中国厦门同安工业集中区集成路1601-1629号  
Factory Add: No.1601-1629 Jicheng Road Industrial  
Concentration Area Tongan Xiamen CHINA  
Tel: +86-592-7107392 Fax: +86-592-7107322  
PC: 361006 Email: gesac@xctc.com

www.gesac.com.cn

400-998-6858



BST202103f



ПРОМИНСТРУМЕНТ

厦门金鹭特种合金有限公司,成立于1989年,是一家中外合资的国家高新技术企业,隶属于中国六大稀土集团之一的厦门钨业股份有限公司。公司致力于高品质钨粉末材料、硬质合金、精密切削工具等钨系列产品的研发、生产,以及行业专业解决方案的提供,是世界知名的钨粉末、硬质合金及切削工具供应商。

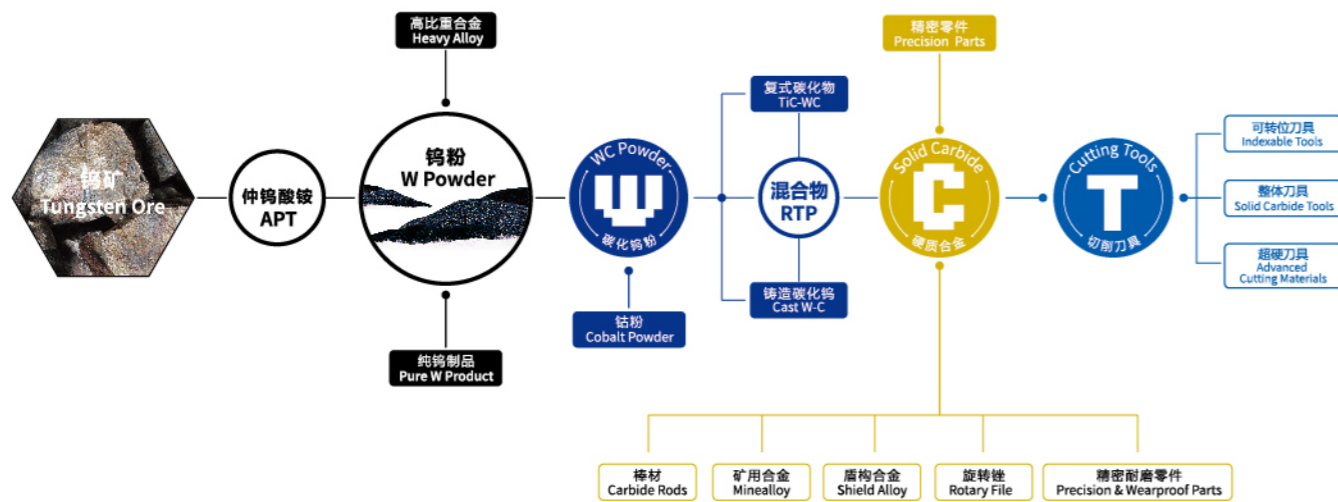
凭借完整钨产业链的产品集成技术研发,以及务实、创新的管理理念,厦门金鹭始终保持着强劲的发展势头,为全球用户提供最高性价比的产品和服务,为现代工业领域解决高硬度、耐高温、耐磨损问题,提供了优良的产品和完善的解决方案,客户遍布全球四十多个工业发达国家和地区,享誉海内外。

公司拥有国内4个生产基地和1个国家级企业研发中心,海外3个销售公司和1个海外生产基地,独立承担并完成多项“国家科技支撑计划项目”,“国家科技重大专项”,“国家火炬计划项目”,“国家重点新产品”开发项目及省市重点研究课题,被评为“战略性新兴产业骨干企业”、“创新型企业”、“先进技术企业”。

Xiamen Golden Egret Special Alloy Co., Ltd. (GESAC), founded in 1989, is a Sino-foreign joint venture with national high-tech, affiliated with XTC, which is one of six major rare earth groups in China. GESAC is committed to research & development, production and professional solutions providing of high-quality tungsten powder materials, cemented carbide, precision cutting tools and other tungsten products. Up to now, GESAC has become world-famous manufacturer and supplier of tungsten powder, cemented carbide and precision cutting tools products.

With the Integrated Product Development of complete tungsten industry chain, as well as a pragmatic and innovative management concept, GESAC has always maintained a strong momentum of development, providing the cost effective tungsten powder products and services for global users, offering the excellent products and perfect solutions for solving high hardness, high temperature resistance and wear resistance topics. Our brand "Golden Egret" has become one of the leading brand in the market, enjoying famous reputation in more than 40 countries and regions.

GESAC owns four production headquarters and one national level research center domestically, and three sales branches and one production base overseas. We undertook and completed several development programs independently, including the "National Science and Technology Support Programs", the "National Torch Program Projects", and the "National Key Projects" and so on. GESAC was awarded as "Key Enterprise for Strategic Emerging Industry", "Innovative Enterprise" and "Enterprise with Advanced Technology".



加工解决方案  
Manufacturing Solutions

曲轴 Crankshaft	02
缸体 Cylinder Block	04
凸轮轴 Camshaft	08
连杆 Rod	10
涡轮增压器壳体 Turbocharger Housing	12
制动钳 Brake Caliper	14
变速箱轴齿 Shaft & Gear of Transmission	16
差速器壳体 Differential Housing	20
车桥前轴 Front Axle	22



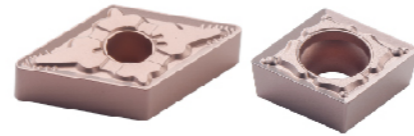
端面铣削 Face Milling

- SNEU+MFB145/245/288  
高强度通用铣削  
High Intension General Face Milling



车削加工 Turning

- 通用粗-精车削  
General Rough-finish Turning



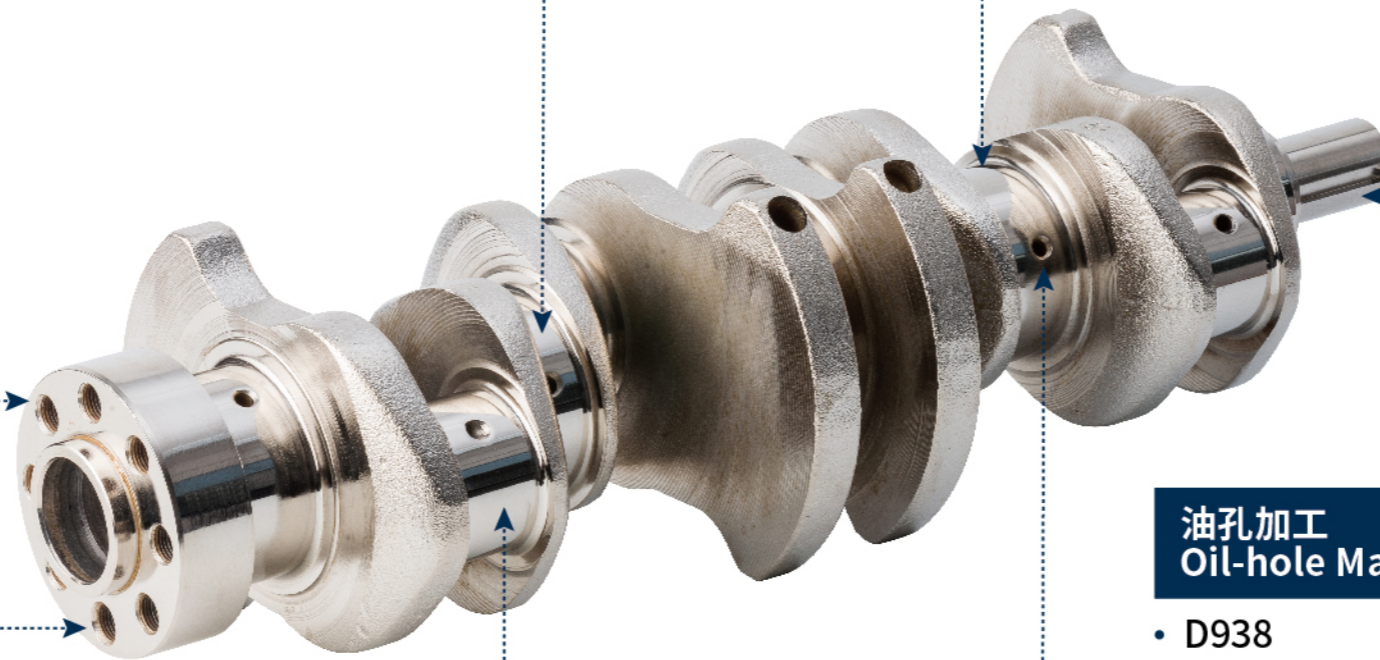
车车拉 Turn Turn Broaching

- 高刚性、高精度模块化刀体  
Modular cutter with high rigidity and precision
- 刀片灵活布置, 确保高效加工  
Flexible inserts arrangement ensures high productivity



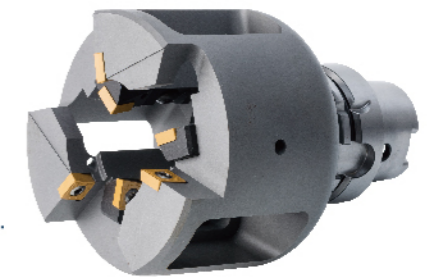
孔加工 Hole Making

- D918S  
普通钢加工硬质合金麻花钻  
Drills for Steel Applications
- QPMG+GHDS  
高效可转位钻头  
High Efficiency Indexable Drills
- 高性能钢及铸铁用丝锥  
High-performance Tap for Steel & Cast Iron Applications



套车 Multistation Turning

- 高效复合加工  
High Efficiency Combination Tool



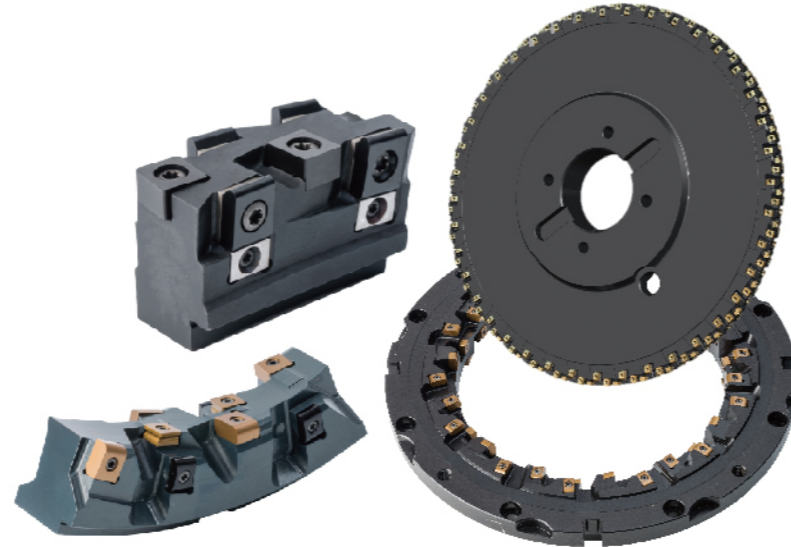
油孔加工 Oil-hole Making

- D938  
深孔内冷麻花钻  
Deep-hole Inner Cooling Twist Drill



内外铣 Internal & External Milling

- 高精度超密齿刀盘, 实现高速、高效加工  
High precision super dense pitch cutter enable high speed , high precision machining
- 减少换刀次数, 降低成本  
Reduce tool change frequency and production costs



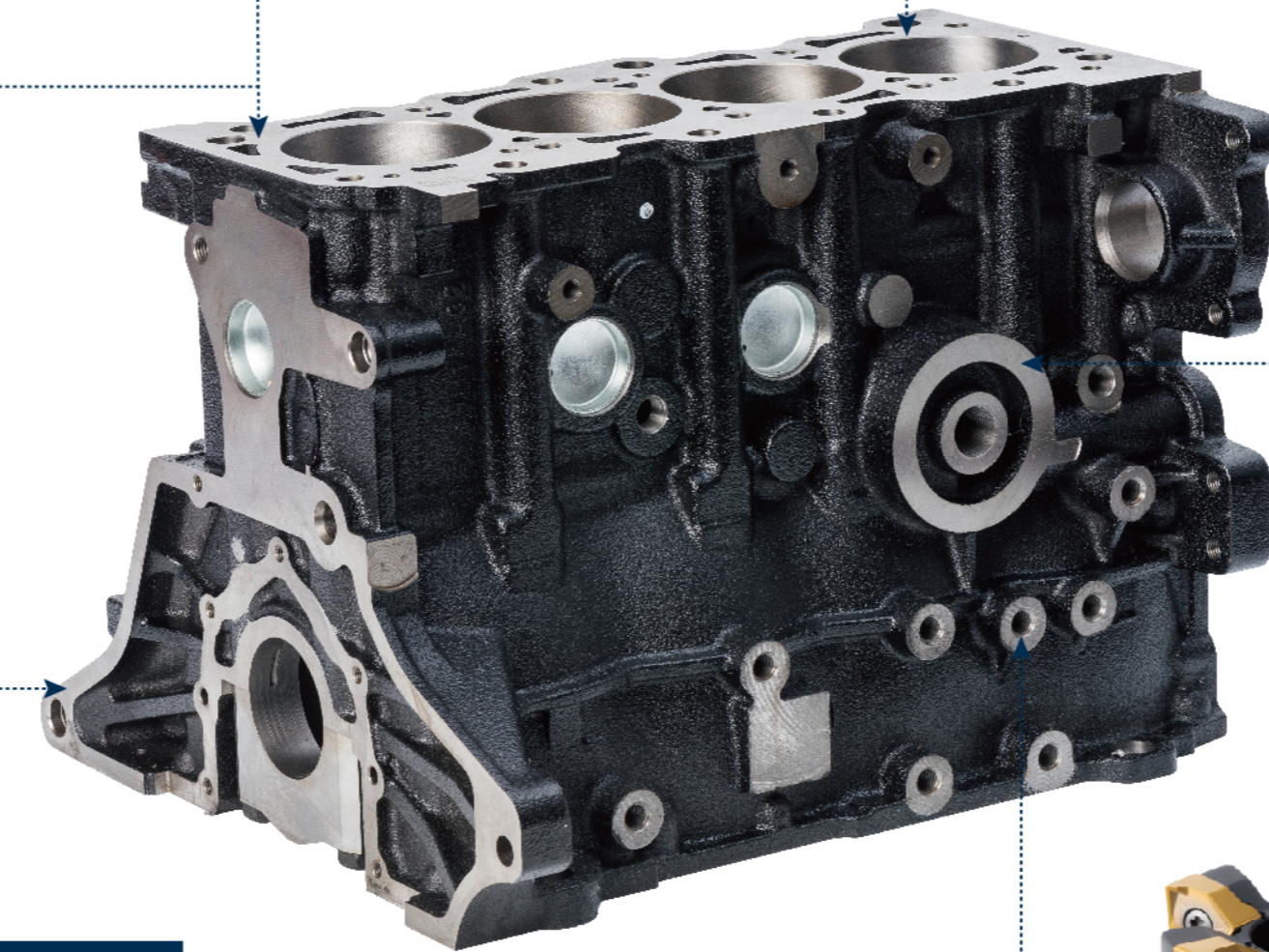
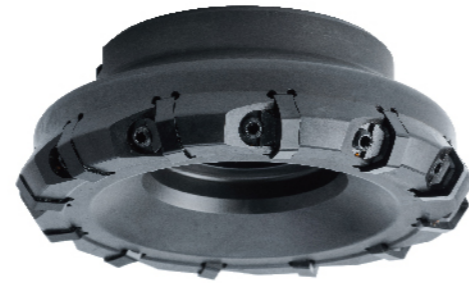
高精度刀具(High Precision Cutter)

对于直径150-500mm的内外铣刀盘, 轴向和径向跳动精度可达: 0.02-0.03mm。  
For D150-500mm cutter, axial and radial runout accuracy could reach 0.02-0.03mm

曲轴铣刀片尺寸关键尺寸精度可达±0.01mm, 一致性控制标准0.008mm。  
Key dimension accuracy of crankshaft milling insert could reach ±0.01mm, consistency control standard could reach 0.008mm

上下面铣削  
Face Milling

- Hnex+MFB160  
经济型双面铸铁铣削  
Economical and Double-sided Cast Iron Face Milling
- SNEN/X+MFN175  
精密高效CBN面铣  
High Precision CBN Face Milling



缸孔镗削  
Boring

- SDKX/LNMT  
定制缸孔粗镗  
Customized Rough Boring Tools for Cylinder Holes



复合孔加工  
Compound Hole Making

- QPMG+定制刀体  
高效复合孔加工  
High Efficiency Combination Tool

前后面铣削  
Face Milling

- SNEU+MFB288  
高强度通用铣削  
High Intension General Face Milling



凸台铣削  
Face Milling

- WNGU+MEE190  
双面曲线刃方肩铣削  
Double-sided Helical Edge Shoulder Milling





**止推面铣削  
Thrust Face Milling**

- LNMT  
非标定制三面刃铣削  
Tailor-made Slot Milling

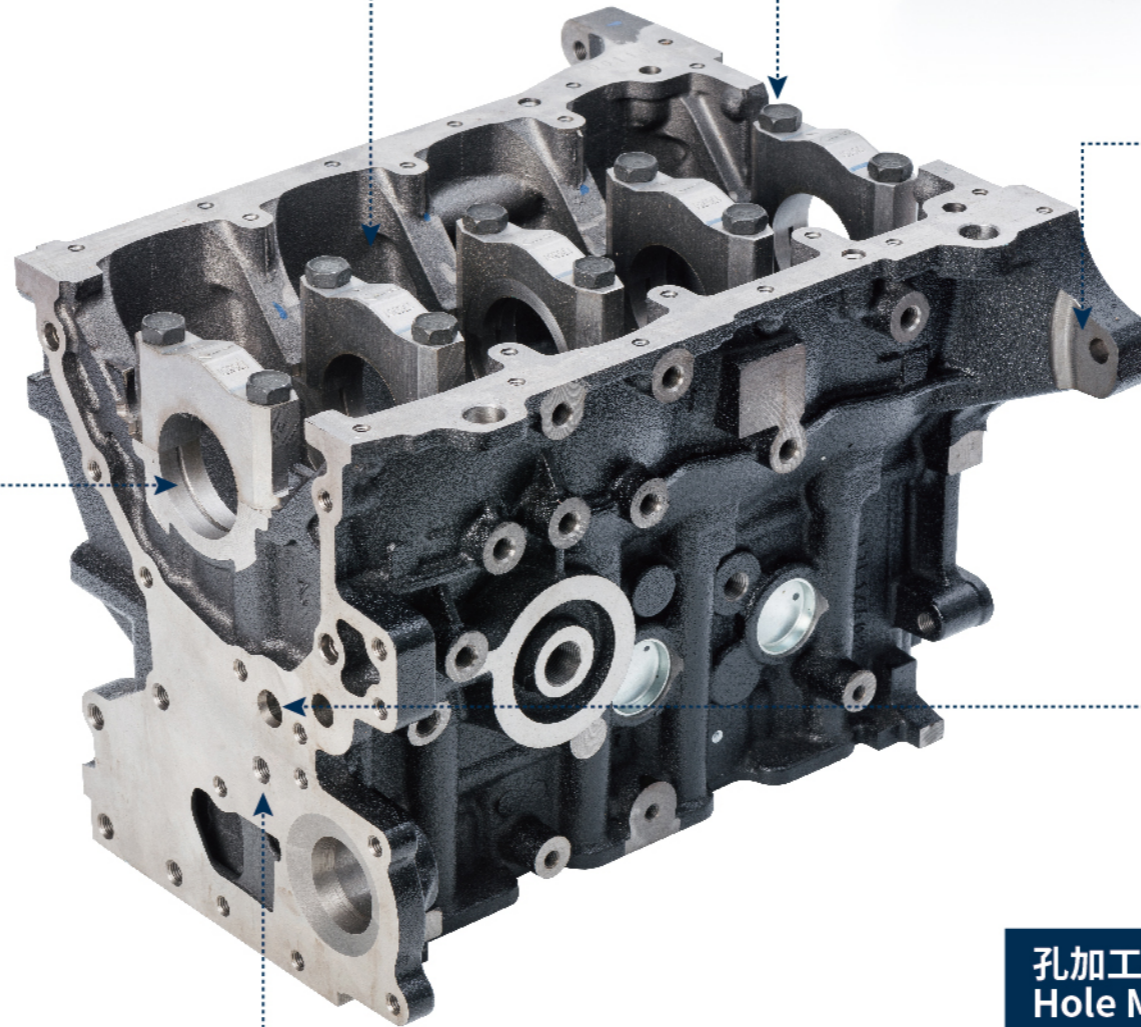


**曲轴孔加工  
Crankshaft Hole Making**

- CCMT  
多阶梯高效复合孔加工  
High Efficiency Combination Tool

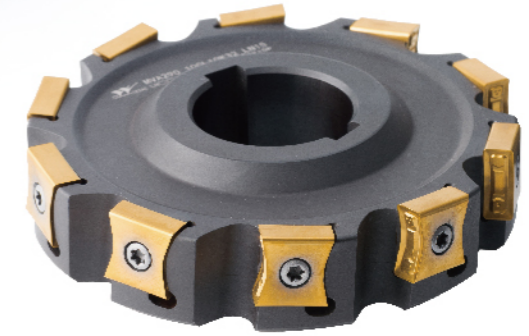
**孔加工  
Hole Making**

- D938  
深孔内冷麻花钻  
Deep-hole Inner Cooling Twist Drill
- 非标定制直槽钻  
Tailor-made Straight Fluted Drill



**瓦口面铣削  
Face Milling**

- SDKT+MES190  
经济型正型4刃方肩铣削  
Economy Positive 4 Edges Shoulder Milling



**反面铣削  
Reverse Face Milling**

- LNMT  
非标定制三面刃铣刀  
Tailor-made Face and Side Cutter

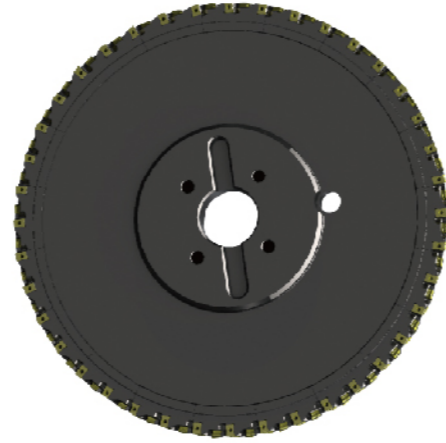
**孔加工  
Hole Making**

- D928  
铸铁加工硬质合金麻花钻  
Twist Drills for Cast Iron
- 非标定制铰刀  
Tailor-made Reamers
- 高性能铸铁用丝锥  
High-performance Tap for Cast Iron Applications



**外铣  
External Milling**

- 高精度超密齿刀盘, 实现高速、高效加工  
High precision super dense pitch cutter enable high speed, high precision machining



**车削加工  
Turning**

- 通用轴颈车削加工  
General Turning for Journal



**孔加工  
Hole Making**

- D918S  
普通钢加工硬质合金麻花钻  
Drills for Steel Applications
- 高性能钢用丝锥  
High-performance Tap for Steel Applications

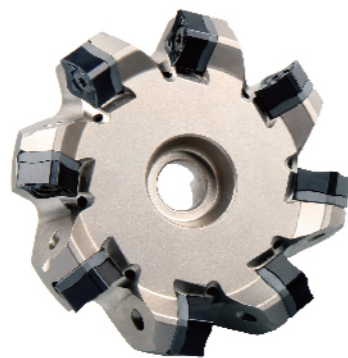


**尾槽/VVT槽铣削  
Slot Milling**

- UP210  
通用钢件加工立铣刀  
General End Milling for Steel

**端面铣削  
Face Milling**

- SNEU+MFB145/245  
高强度通用铣削  
High Intension General Face Milling



**切槽加工  
Grooving**

- MT+GK  
通用切槽加工  
General Grooving
- GB+GB  
精密浅槽加工  
High Precision Shallow Grooving



### 方肩铣削 Shoulder Milling

- APKT+MEB190  
双面曲线刃方肩铣削  
Double-sided Helical Edge Shoulder Milling
- PP300  
高效钢件加工立铣刀  
High Efficiency Endmills for Steel



### 端面铣削 Face Milling

- HNEU+MFC145/160  
高经济型通用铣削  
High Economical General Milling



### 小头孔加工 Hole Making

- QPMG+GHDS  
高效可转位钻头  
High Efficiency Indexable Drills
- 非标粗镗系统  
Customized Rough Boring System

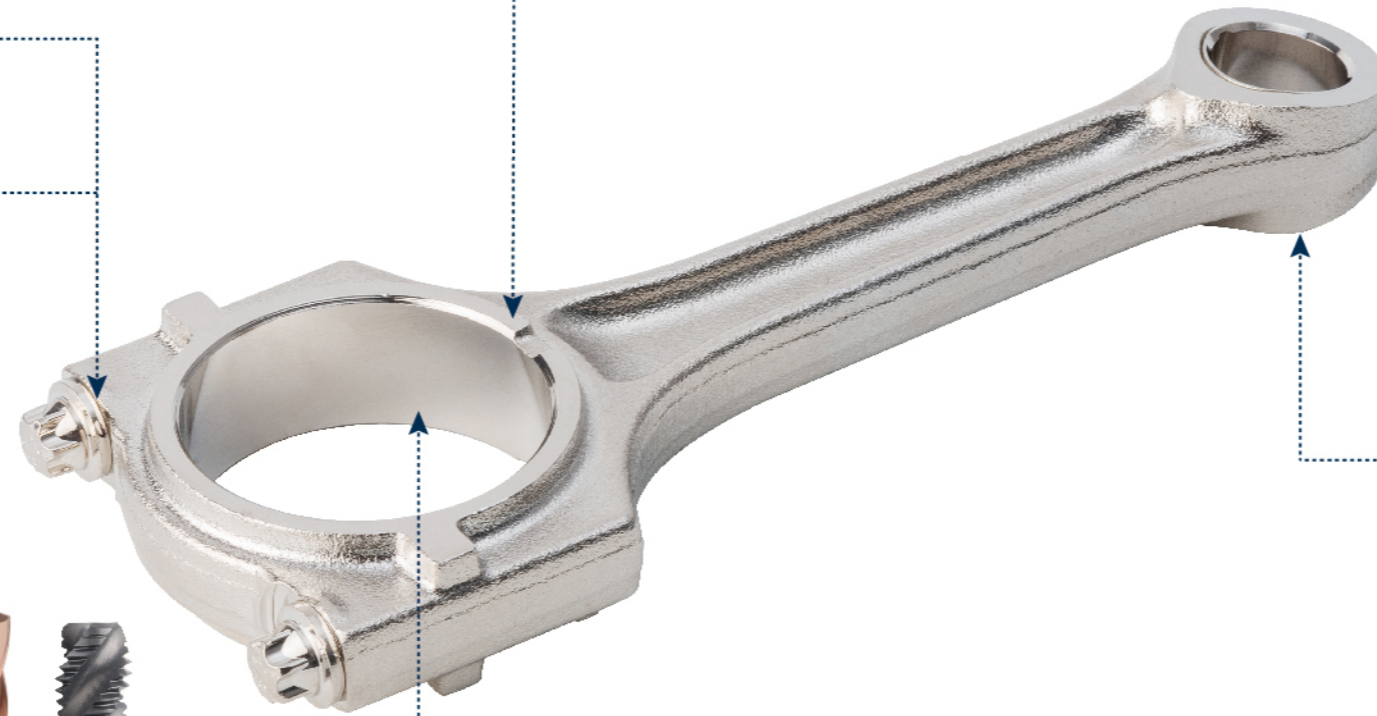
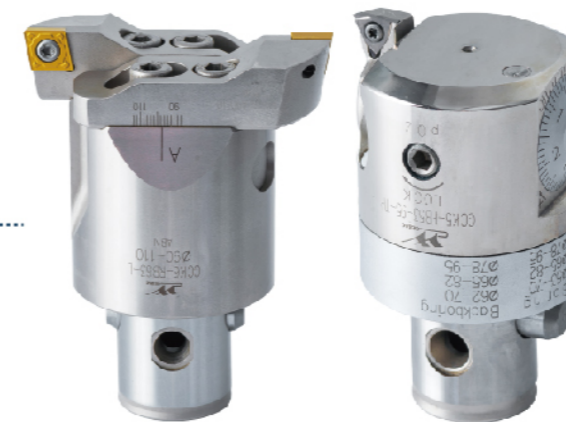
### 螺栓孔加工 Bolt Hole Making

- D918S  
普通钢加工硬质合金麻花钻  
Drills for Steel Applications
- 高性能钢用丝锥  
High-performance Tap for Steel Applications



### 大头孔加工 Hole Making

- FB  
精镗系统  
Finish Boring System
- RB  
粗镗系统  
Rough Boring System



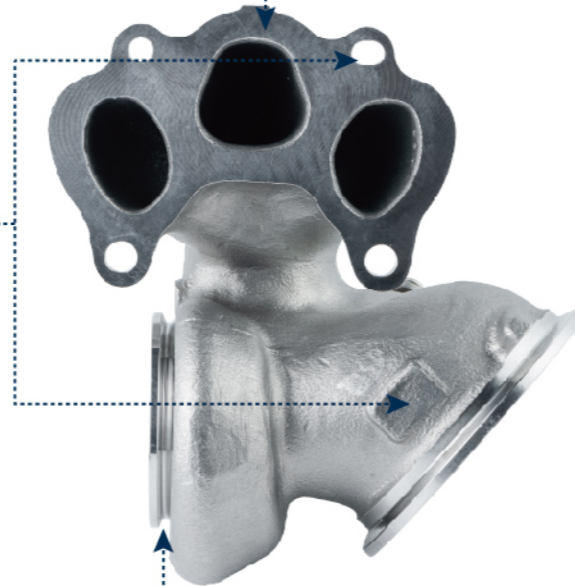
**法兰面铣削  
Face Milling**

- HNEU+MFC145  
高经济型通用铣削  
High Economical General Face Milling



**打标面/U型孔加工  
Shoulder Milling**

- SN200  
高温合金高性能加工立铣刀  
High Performance Endmills for Heat Resistant Super Alloy
- SS600  
不锈钢高性能加工立铣刀  
High Performance Endmills for Stainless Steel



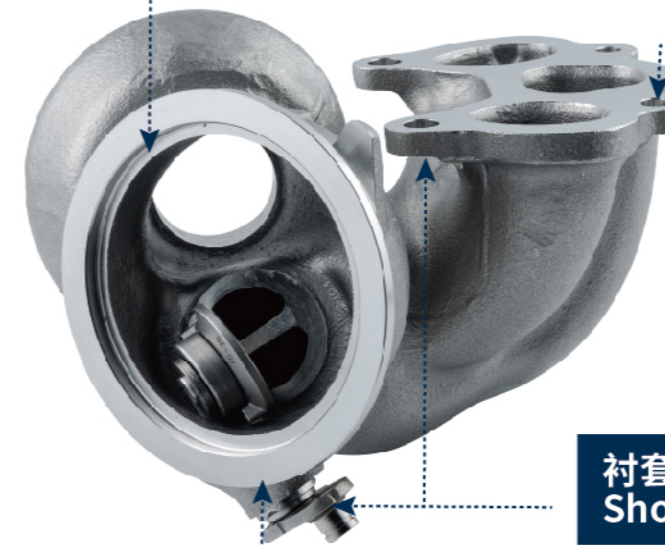
**环槽/V带槽加工  
Grooving**

- 非标定制槽刀  
Customized Grooving



**端面槽加工  
Grooving**

- MT+GKFR/L  
通用切槽加工  
General Grooving
- GB+非标定制刀体  
GB + Customized Cutter



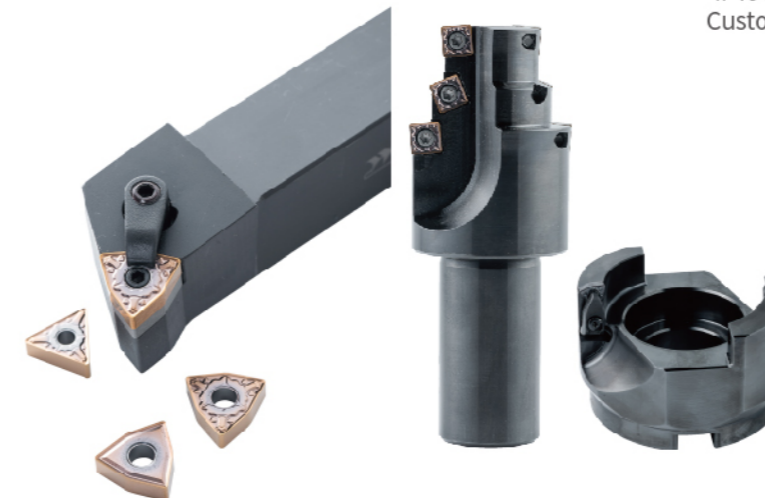
**衬套孔/凸台面加工  
Shoulder Milling**

- SDKT+MES190  
经济型正型4刃方肩铣削  
Economical Positive 4 Edges Shoulder Milling
- 非标定制镗刀  
Customized Countsink



**外圆/内孔加工  
Outer Circle & Internal Hole Machining**

- 标准车削刀具  
Standard Turning
- 非标定制镗刀  
Customized Boring



**孔加工  
Hole Making**

- D968S  
不锈钢加工硬质合金麻花钻  
Drills for Stainless Steel Applications
- 非标定制铰刀  
Customized Reamer
- 高性能钢用丝锥  
High-performance Tap for Steel Applications





**支耳面加工**  
Lug Face Milling

- 定制三面刃铣削刀具  
Tailor-made Slot Milling



**密封槽加工**  
Slot Milling

- 高精度非标槽铣刀具  
High Precision Tailor-made Slot Milling



**避让面加工**  
Slot Milling

- 定制三面刃铣削刀具  
Tailor-made Slot Milling



**凸台铣削**  
Face Milling

- WNGU+MEE190  
双面曲线刃方肩铣削  
Double-sided Helical Edge  
Shoulder Milling



**沉台面加工**  
Face Milling

- 定制面铣刀具  
Tailor-made Face Milling



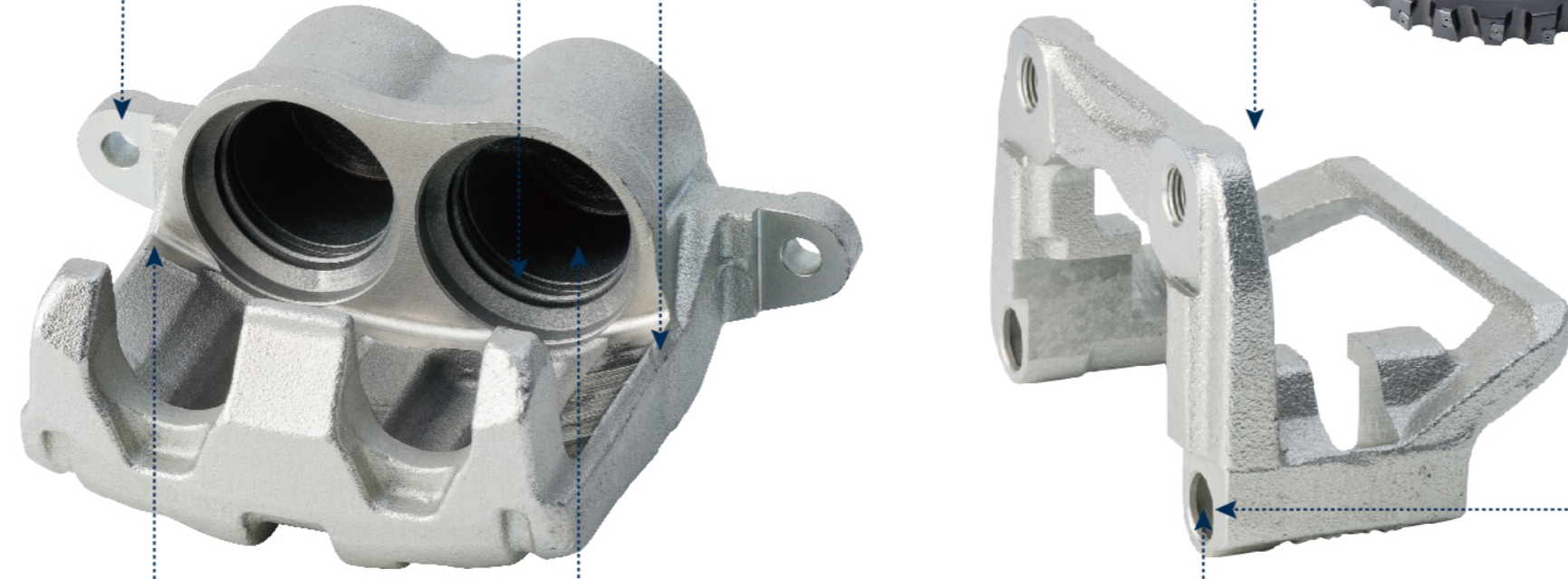
**活塞孔加工**  
Piston Hole Making

- 定制复合加工刀具  
Tailor-made Combination Tool



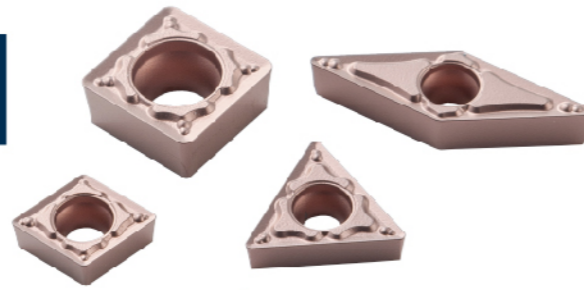
**孔加工**  
Hole Making

- D928  
铸铁加工硬质合金麻花钻  
Twist Drills for Cast Iron
- 非标定制铰刀  
Tailor-made Reamers
- 高性能铸铁用丝锥  
High-performance Tap for Cast Iron Applications



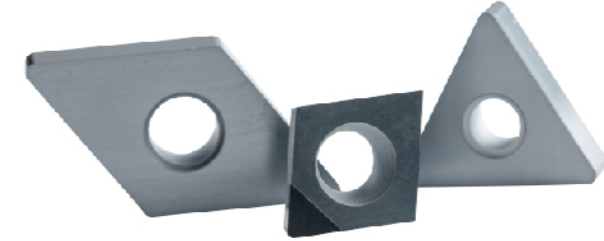
### 车削加工 Turning

- MM系列  
通用正型精加工  
General Positive Finishing



### 热后硬车 Turning after Heat Treatment

- PCBN车削加工  
PCBN Turning



### 孔加工 Hole Making

- D918S  
普通钢加工硬质合金麻花钻  
Drills for Steel Applications



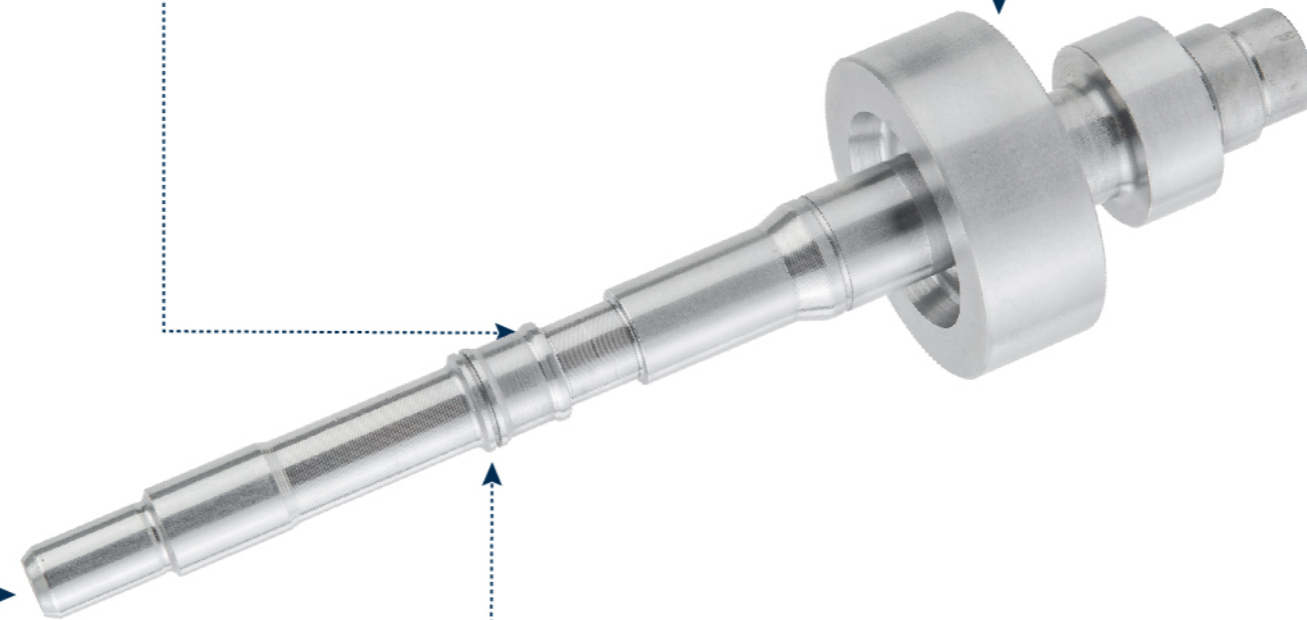
### 切槽加工 Grooving

- MT+GK  
通用切槽加工  
General Grooving
- GB+GB  
精密浅槽加工  
High Precision Shallow Grooving



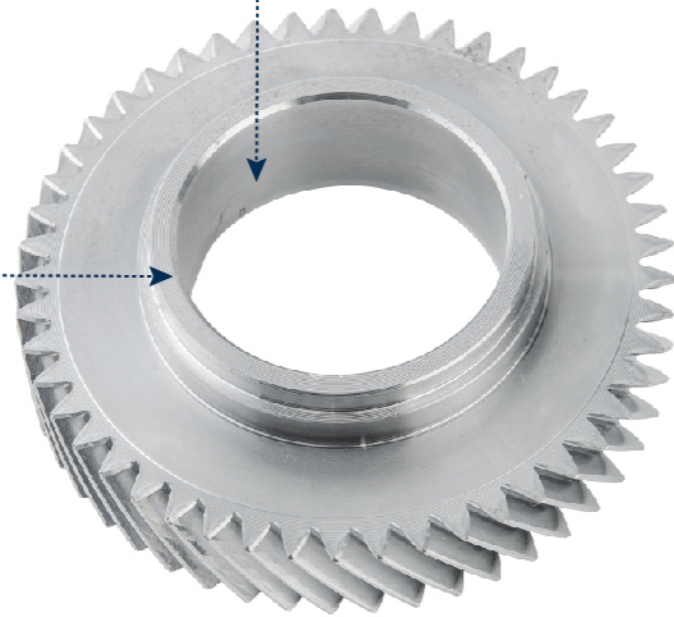
### 深孔加工 Deep-hole Making

- D938  
深孔内冷麻花钻  
Deep-hole Inner Cooling Twist Drill



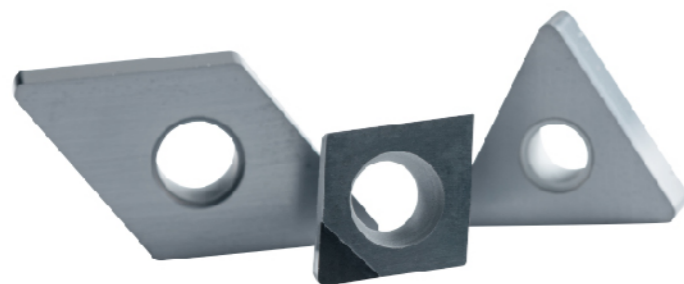
**车削加工  
Turning**

- MM系列  
通用正型精加工  
General Positive Finishing



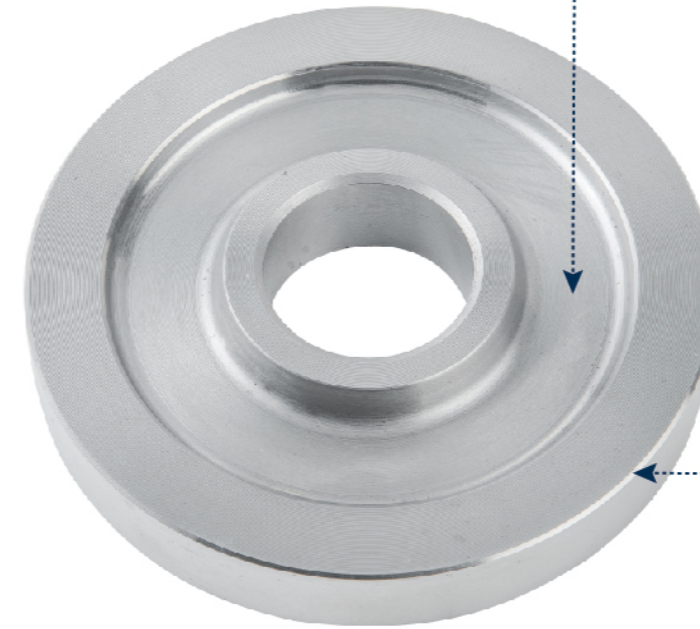
**热后硬车  
Turning after Heat Treatment**

- PCBN车削加工  
PCBN Turning



**切槽加工  
Grooving**

- MT/MR+GK  
通用切槽加工  
General Grooving



**外圆及端面车削加工  
Excircle and Face Turning**

- QF系列  
通用负型精加工槽型  
General Negative Finishing
- QM系列  
通用负型半精加工槽型  
General Negative Semifinishing
- MM系列  
通用正型精加工槽型  
General Positive Finishing



**车削加工  
Turning**

- 通用粗-精车削加工  
General Rough-finish Turning



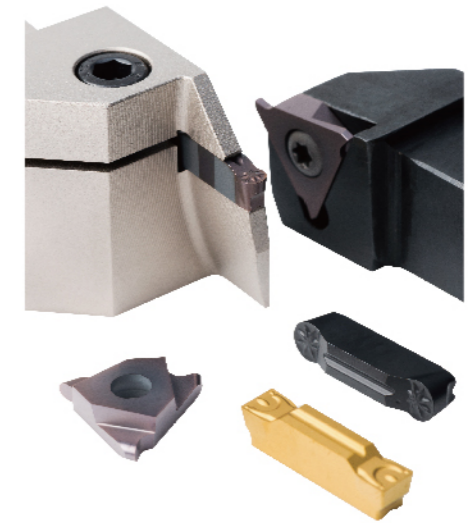
**销孔加工  
Pin Hole Making**

- PP300  
高效加工立铣刀  
High Efficiency Endmills
- D938  
普通钢加工硬质合金麻花钻  
Drills for Steel Applications



**切槽加工  
Grooving**

- MT+GK  
通用切槽加工  
General Grooving
- GB+GB  
精密浅槽加工  
High Precision Shallow Grooving



**内球面加工  
Inner Sphere Making**

- DCGW+非标定制刀杆  
DCGW + Tailor-made Cutter



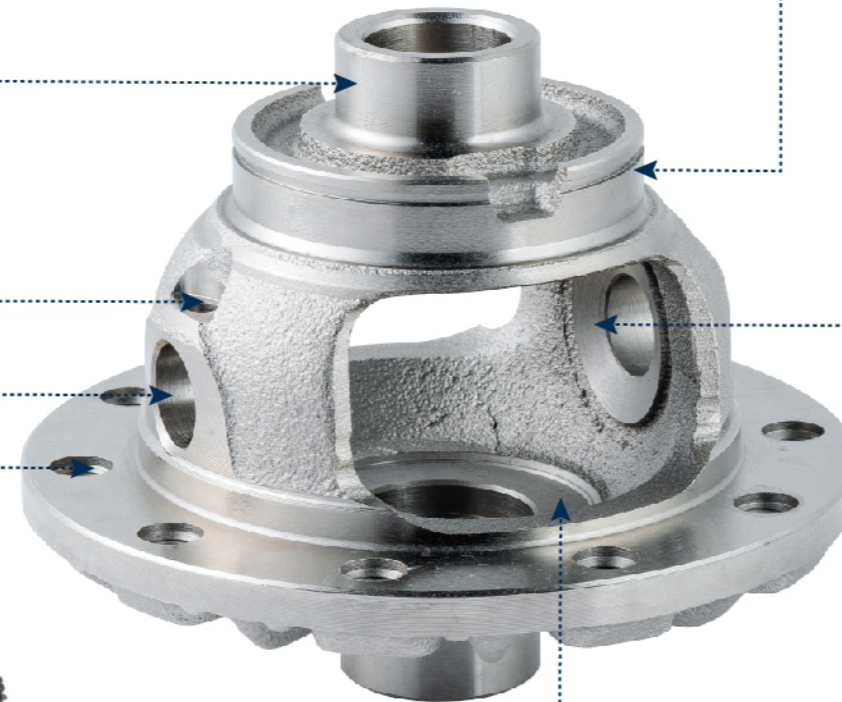
**孔加工  
Hole Making**

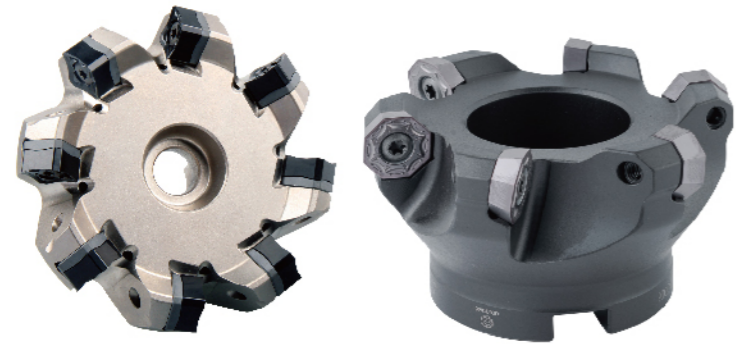
- QPMG+GHDS  
高效可转位钻头  
High Efficiency Indexable Drills
- D918S  
普通钢加工硬质合金麻花钻  
Drills for Steel Applications
- 非标定制铰刀  
Tailor-made Reamer
- 高性能钢及铸铁用丝锥  
High-performance Tap for Steel & Cast Iron Applications



**半轴齿轮面车削  
Axle Shaft Gear Face Turning**

- CCGT+非标定制抗震刀杆  
CCGT + Tailor-made Cutter



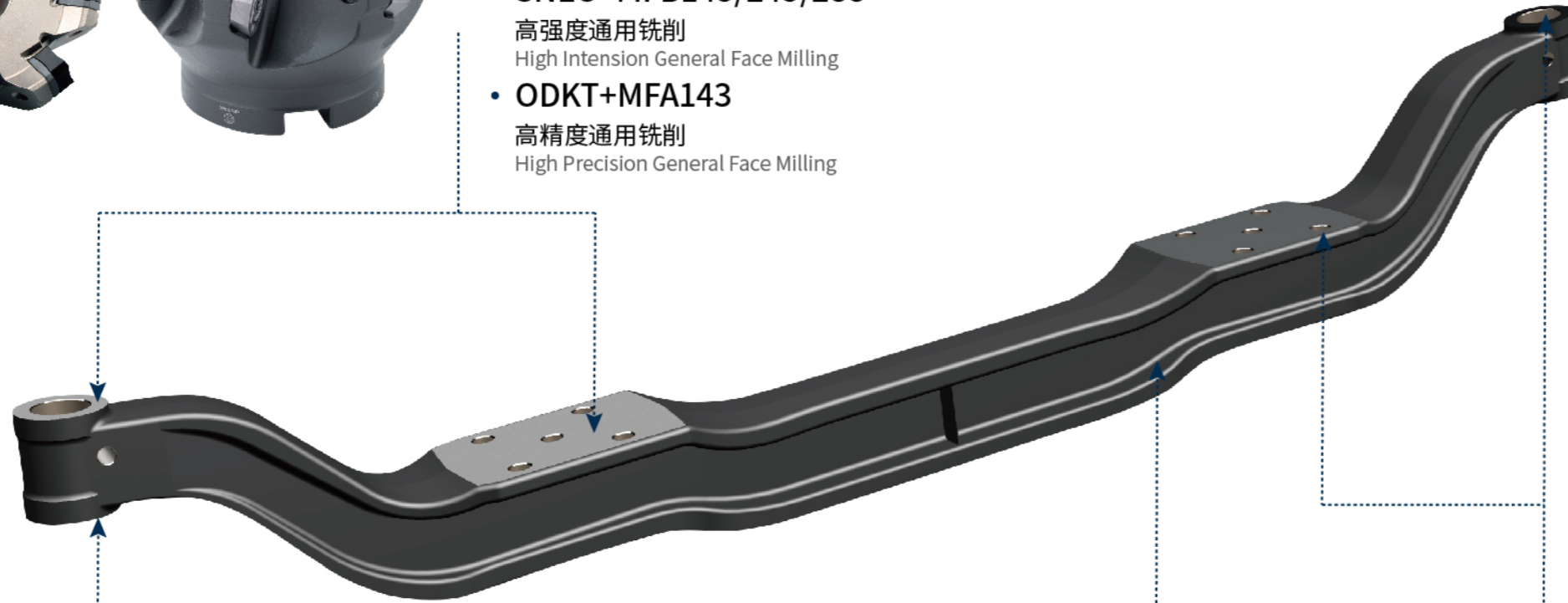


**端面铣削  
Face Milling**

- SNEU+MFB145/245/288  
高强度通用铣削  
High Intension General Face Milling
- ODKT+MFA143  
高精度通用铣削  
High Precision General Face Milling

**外圆铣削  
Shoulder Milling**

- APKT+MHB190  
曲线刃玉米铣削  
Helical Edge Corn Milling



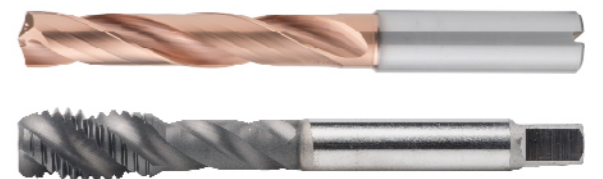
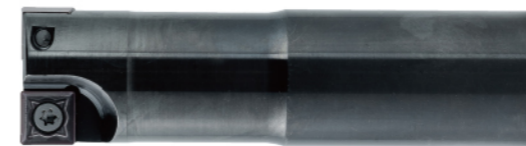
**主销孔加工  
Hole Making**

- QPMG+GHDS  
高效可转位钻头  
High Efficiency Indexable Drills
- FB  
精镗系统  
Finish Boring System
- RB  
粗镗系统  
Rough Boring System



**沉台加工  
Countersinking**

- 非标定制铰刀  
Customized Countersink



**销孔加工  
Pin Hole Making**

- D918S  
普通钢加工硬质合金麻花钻  
Drills for Steel Applications
- 高性能钢用丝锥  
High-performance Tap for Steel Applications

