

航空航天行业加工解决方案

Manufacturing Solutions for Aerospace Industry



+ 华东大区
Eastern China Region

上海市青浦区华新镇华隆路1777号D栋610室
Add: Room 610 Building D No. 1777 Hualong Road
Huaxin Town Qingpu District Shanghai
Tel: +86-592-7301561

+ 华南大区
Southern China Region

广东省东莞市长安镇锦厦聚和机械模具五金城D1区49A号
Add: No. 49A D1 District Jinxia Juhe Machinery Mould
Hardware Commercial District Chang'an Town
Dongguan City Guangdong Province
Tel: +86-592-7310203

+ 西部大区
West Region

四川省成都市成华区建材路隆鑫九熙三期一栋2119
Add: Room 2119 Building 1 Longxin Jiuxi Phase III
Jiancai Road Chenghua District Chengdu City
Sichuan Province
Tel: +86-592-7306375

+ 华北大区
Northern China Region

天津市西青区碧祥路新津国际新兴园6-2-701
Add: 6-2-701 Xinjin International Xinxing Park Bixiang Road Xiqing
District Tianjin
Tel: +86-592-7301126

+ 东北大区
Northeast Region

辽宁省沈阳市铁西区建设东路158号（华润铁西中心）2109号
Add: No. 2109 (China Resources Tiexi Center) No. 158 Jianshe East
Road Tiexi District Shenyang City Liaoning Province
Tel: +86-592-7306375

+ 华中大区
Central China Region

湖北省武汉市经济技术开发区创业路12号嘉昱商务中心B座1304-1307号
Add: No. 1304-1307 Block B Jiayu Business Center No. 12 Chuangye
Road Wuhan Economic and Technological Development Zone Hubei
Province
Tel: +86-592-7310203

厦门金鹭特种合金有限公司
XIAMEN GOLDEN EGRET SPECIAL ALLOY CO.,LTD.

地址：中国厦门市湖里区兴隆路69号
Add: No.69 Xinglong Road Huli District Xiamen CHINA
工厂地址：中国厦门同安工业集中区集成路1601-1629号
Factory Add: No.1601-1629 Jicheng Road Industrial
Concentration Area Tongan Xiamen CHINA
Tel: +86-592-7107392 Fax: +86-592-7107322
PC: 361006 Email: gesac@xctc.com

www.gesac.com.cn

400-998-6858



BST202103i



ПРОМИНСТРУМЕНТ

厦门金鹭特种合金有限公司, 成立于 1989 年, 是一家中外合资的国家高新技术企业, 隶属于中国六大稀土集团之一的厦门钨业股份有限公司。公司致力于高品质钨粉末材料、硬质合金、精密切削工具等钨系列产品的研发、生产, 以及行业专业解决方案的提供, 是世界知名的钨粉末、硬质合金及切削工具供应商。

凭借完整钨产业链的产品集成技术研发, 以及务实、创新的管理理念, 厦门金鹭始终保持着强劲的发展势头, 为全球用户提供最高性价比的产品和服务, 为现代工业领域解决高硬度、耐高温、耐磨损问题, 提供了优良的产品和完善的解决方案, 客户遍布全球四十多个工业发达国家和地区, 享誉海内外。

公司拥有国内 4 个生产基地和 1 个国家级企业研发中心, 海外 3 个销售公司和 1 个海外生产基地, 独立承担并完成多项“国家科技支撑计划项目”, “国家科技重大专项”, “国家火炬计划项目”, “国家重点新产品”开发项目及省市重点研究课题, 被评为“战略性新兴产业骨干企业”、“创新型企业”、“先进科技企业”。

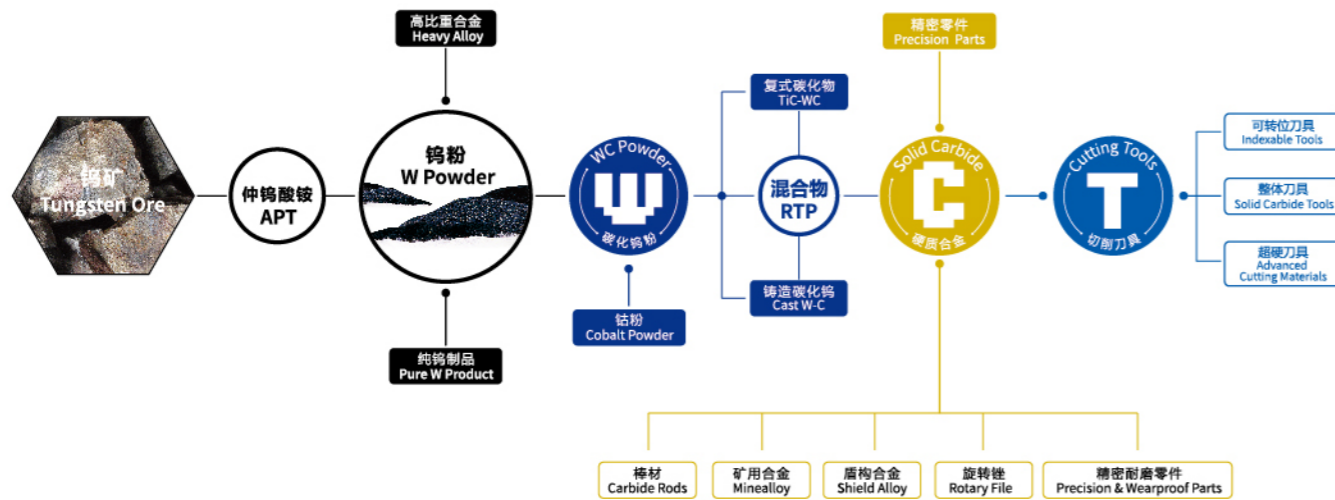
Xiamen Golden Egret Special Alloy Co., Ltd. (GESAC), founded in 1989, is a Sino-foreign joint venture with national high-tech, affiliated with XTC, which is one of six major rare earth groups in China. GESAC is committed to research & development, production and professional solutions providing of high-quality tungsten powder materials, cemented carbide, precision cutting tools and other tungsten products. Up to now, GESAC has become world-famous manufacturer and supplier of tungsten powder, cemented carbide and precision cutting tools products.

With the Integrated Product Development of complete tungsten industry chain, as well as a pragmatic and innovative management concept, GESAC has always maintained a strong momentum of development, providing the cost effective tungsten powder products and services for global users, offering the excellent products and perfect solutions for solving high hardness, high temperature resistance and wear resistance topics. Our brand "Golden Egret" has become one of the leading brand in the market, enjoying famous reputation in more than 40 countries and regions.

GESAC owns four production headquarters and one national level research center domestically, and three sales branches and one production base overseas. We undertook and completed several development programs independently, including the “National Science and Technology Support Programs”, the “National Torch Program Projects”, and the “National Key Projects” and so on. GESAC was awarded as “Key Enterprise for Strategic Emerging Industry”, “Innovative Enterprise” and “Enterprise with Advanced Technology”.

加工解决方案
Manufacturing Solutions

铝合金框 Aluminum Alloy Frame	02
钛合金滑轨 Titanium Alloy Slide Rail	04
机身蒙皮 Fuselage Skin	06
发动机机匣 Engine Casing	08
叶盘 Blisk	10
叶轮 Impeller	12
叶片 Blade	14



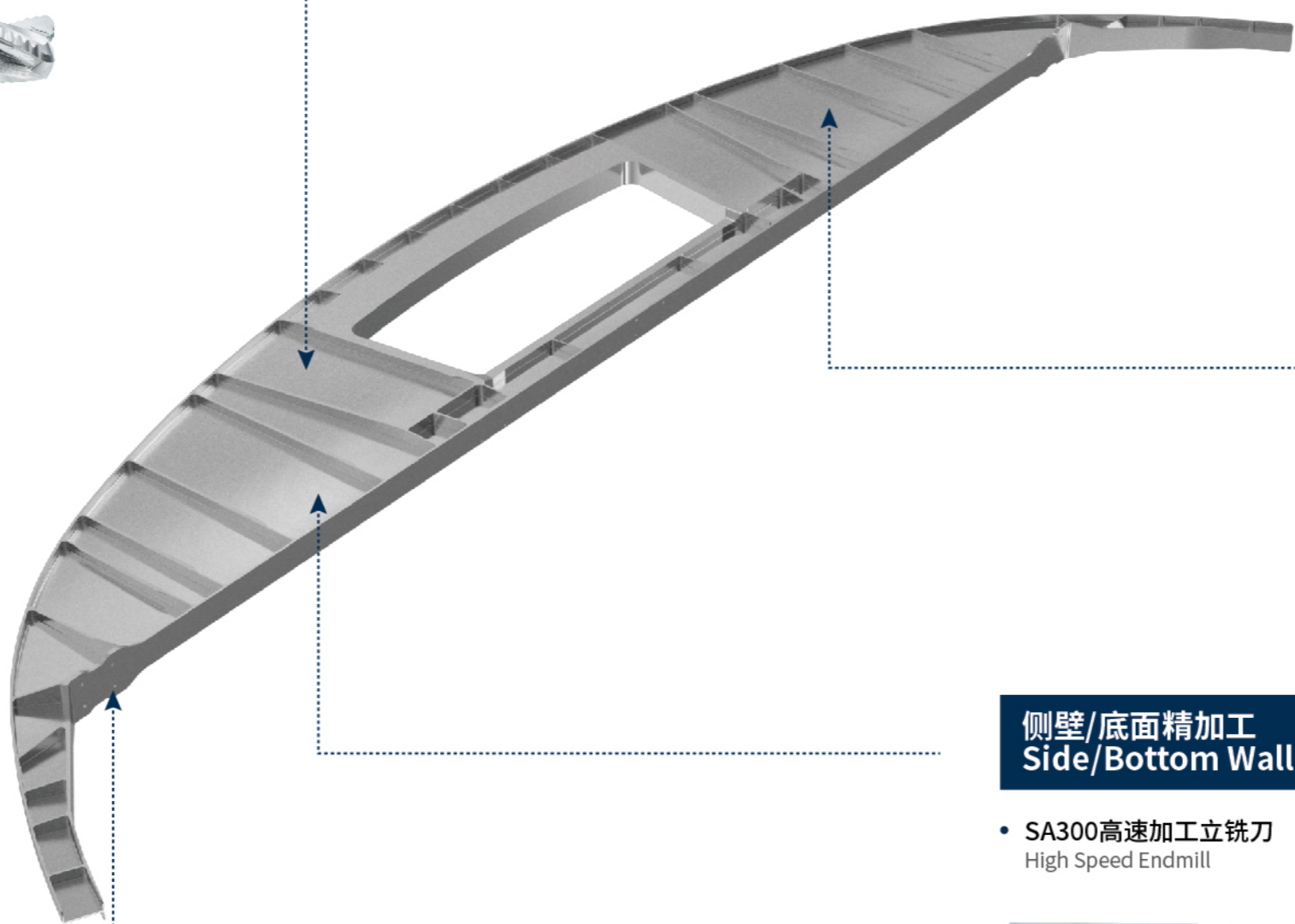
侧壁/底面粗加工
Side/Bottom Wall Rough Milling

- SA210-WR高效波刃立铣刀
Wave Edged High Efficiency Endmill
- XDHT+MEH190高速方肩铣削
High Speed Shoulder Milling



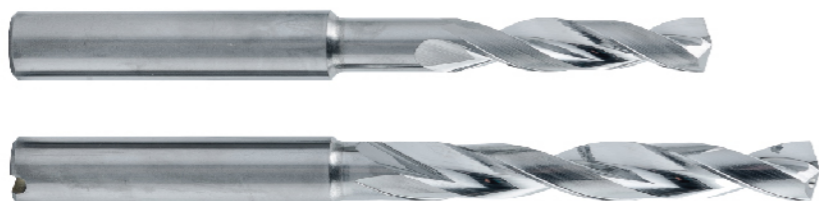
T型槽粗/精加工
T-Groove Rough/Finish Milling

- SDET+MST高速T型槽铣削
High Speed T-Groove Milling
- 整体硬质合金T型槽立铣刀
Solid Carbide T-Groove Endmill



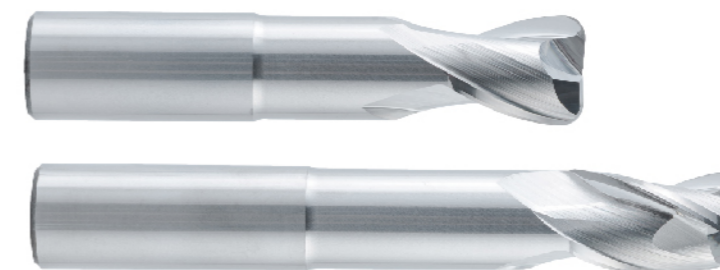
孔加工
Hole Making

- D966铝合金麻花钻
Twist Drills for Aluminum Alloy



侧壁/底面精加工
Side/Bottom Wall Rough Milling

- SA300高速加工立铣刀
High Speed Endmill



型腔粗加工
Cavity Rough Milling

- SDMT+MKM113快进给高效铣削
High Feed High Efficiency Milling



面铣/仿形粗加工
Face/Profile Rough Milling

- RPMT+MPB100仿形铣削
Profile Milling



孔加工
Hole Making

- D968S难加工材料麻花钻
Twist Drills for Difficult-to-process Material
- 非标定制铰刀
Tailor-made Reamers



侧壁/腹板精加工
Side Wall/Web Finish Milling

- ST210高性能加工立铣刀
High Performance Endmill
- ST300高效加工立铣刀
High Efficiency Endmill



侧壁/腹板半精加工
Side Wall/Web Semi-finish Milling

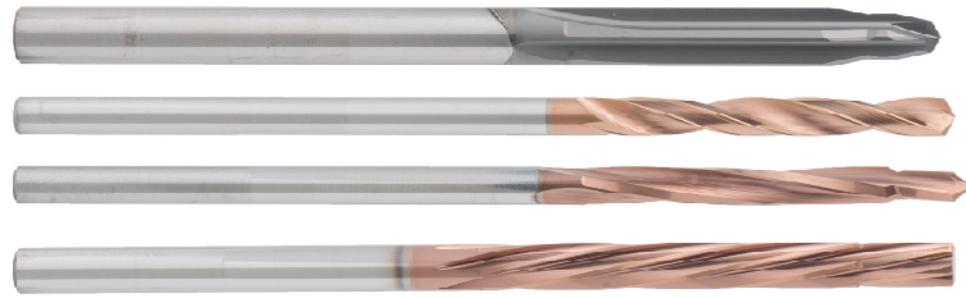
- APKT+MEB190方肩铣削
Shoulder Milling
- APKT+MHB190大切深玉米铣削
Large Cutting Depth Corn Mill



大切深侧壁精加工
Side Wall Finishing With Large Cutting Depth

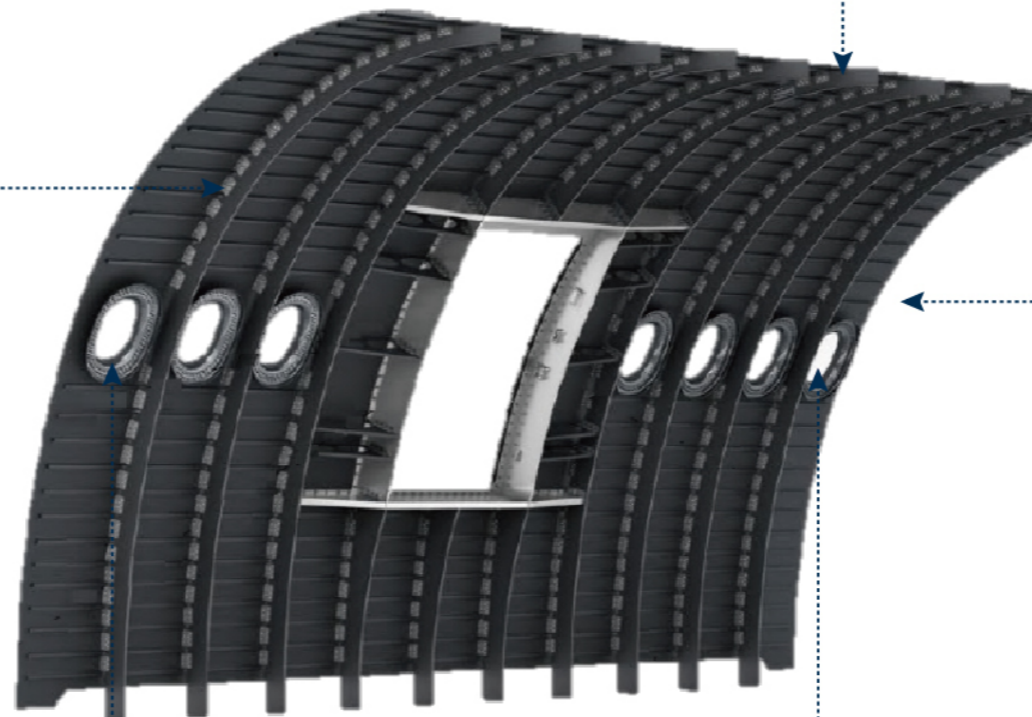
- ST210-RL5长刃立铣刀
Long Flute Endmill





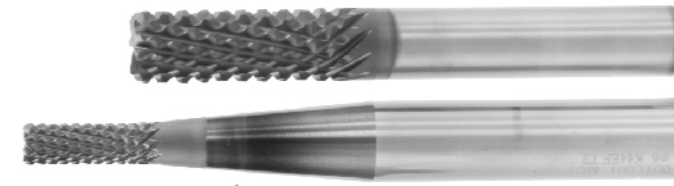
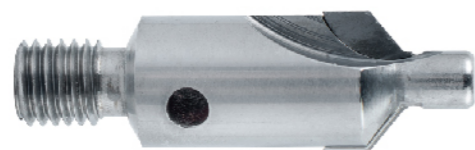
**孔加工
Hole Making**

- D612金刚石涂层匕首钻
Diamond Coating Triple-angle Drill
- D973复材+金属叠层材料加工麻花钻
Twist Drills for steel Composite and Metal
- D573复材+金属叠层材料加工扩孔钻
Core Drills for steel Composite and Metal
- R733复材+金属叠层材料加工铰刀
Reamer for steel Composite and Metal



**铰窝孔加工
Countersink Hole Making**

- DND100PCD铰孔钻
PCD Countersink Drill

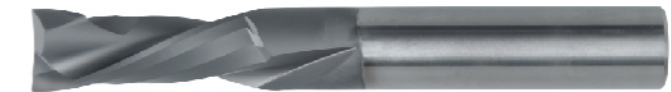


**铣削粗加工
Rough Milling**

- SD200-CN菱齿型金刚石涂层立铣刀
Fine-Cross-Nick Diamond Coating Endmill

**修边精加工
Side Milling**

- SD200-JD2人字型金刚石涂层立铣刀
Herringbone Diamond Coating Endmill



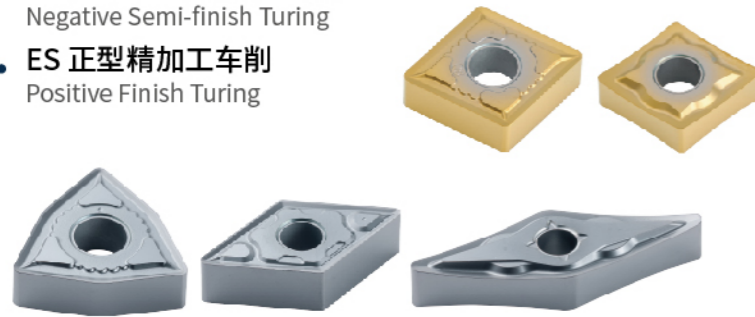
**PCD铣削
PCD Milling**

- DNM100PCD立铣刀
PCD Endmill
- DNR100PCD波刃立铣刀
PCD Wave Edged Endmill



**车削加工
Turning**

- EM/EL负型半精加工车削
Negative Semi-finish Turning
- ES 正型精加工车削
Positive Finish Turning



**环面/花边铣削
Torus/Lacework Milling**

- SN200-R4高性能圆角头立铣刀
High Performance Corner Radius Endmill



**面铣/仿形粗加工
Face/ Profile Rough Milling**

- RPMT+MPB100仿形铣削
Profile Milling



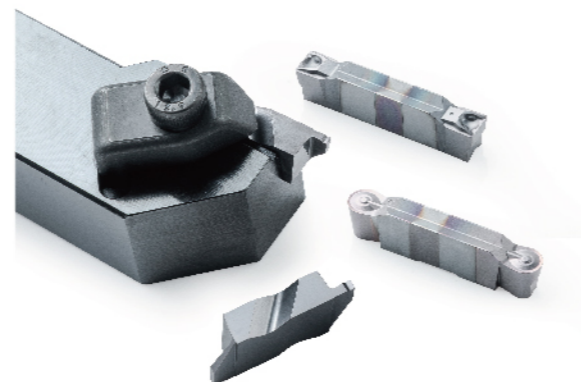
**精铣凸台
Boss Finish Milling**

- SN200-B4高性能球头立铣刀
High Performance Ball Nose Endmill



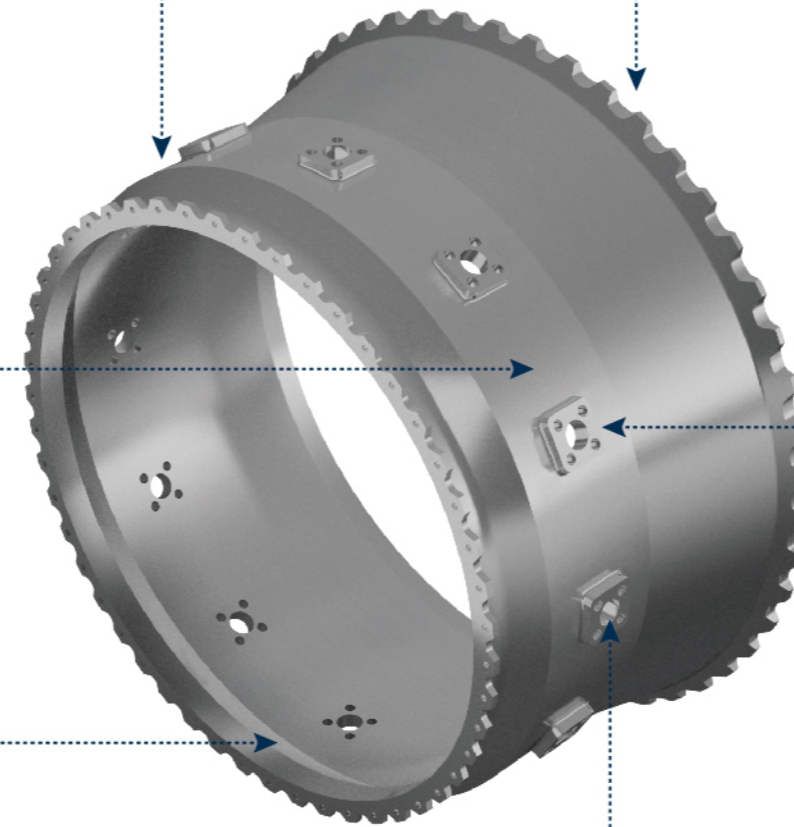
**切槽加工
Grooving**

- G-Notch浅槽系列
G-Notch Shallow Grooving Series
- GZ深槽系列
GZ Deep Grooving Series



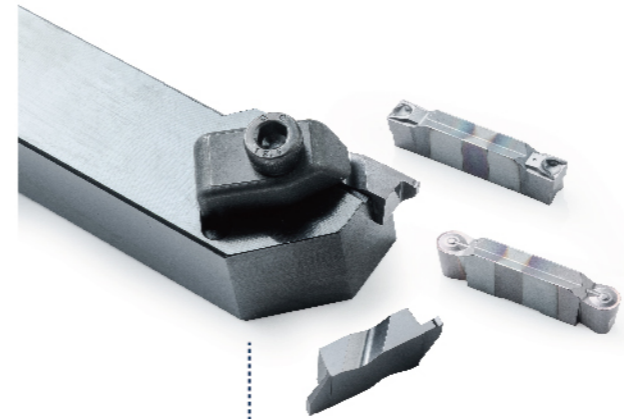
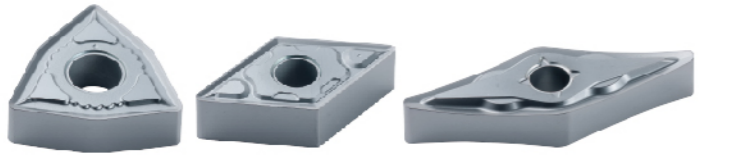
**孔加工
Hole Making**

- D968S难加工材料麻花钻
Twist Drills for Difficult-to-process Material
- 非标定制铰刀
Tailor-made Reamers



**车削加工
Turning**

- EM/EL负型半精加工车削
Negative Semi-finish Turning
- ES 正型精加工车削
Positive Finish Turning

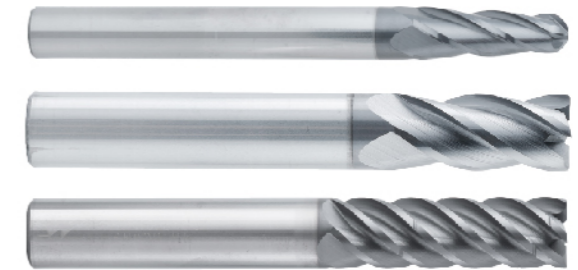


**切槽加工
Grooving**

- G-Notch浅槽系列
G-Notch Shallow Grooving Series
- GZ深槽系列
GZ Deep Trench Grooving Series

**流道开粗
Rough Milling**

- STB200锥度球头立铣刀
Taper Ball Nose Endmill
- SN200-R4高性能圆角头立铣刀
High Performance Corner Radius Endmill
- 摆线铣立铣刀
Trochoidal Machining Endmill



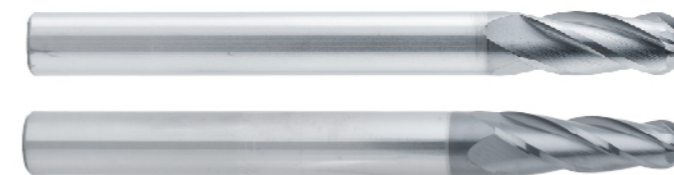
**孔加工
Hole Making**

- D968S难加工材料麻花钻
Twist Drills for Difficult-to-process Material
- 非标定制铰刀
Tailor-made Reamers



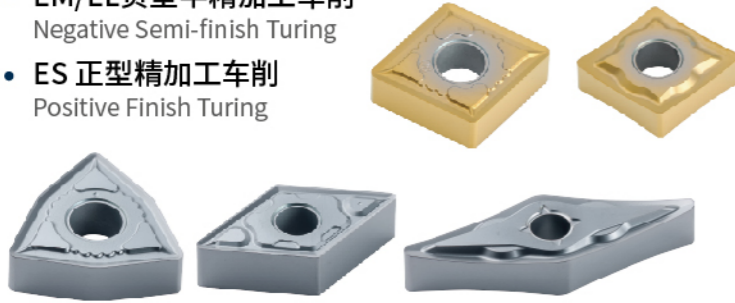
**叶片半精/精加工
Blade Semi-finish/Finish Milling**

- SN200-B4高性能球头立铣刀
High Performance Ball Nose Endmill
- STB200锥度球头立铣刀
Taper Ball Nose Endmill



**车削加工
Turning**

- EM/EL负型半精加工车削
Negative Semi-finish Turning
- ES 正型精加工车削
Positive Finish Turning



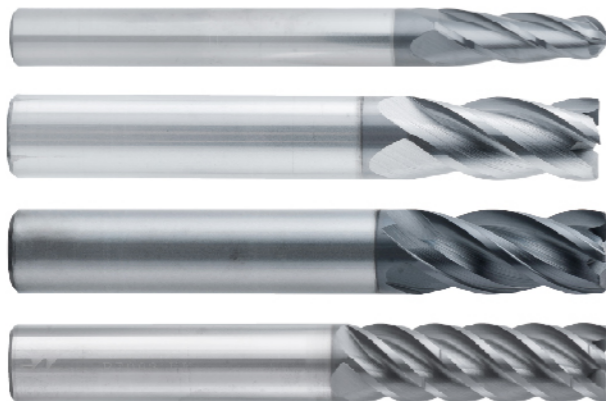
**叶片精加工
Blade Finish Milling**

- STB200锥度球头立铣刀
Taper Ball Nose Endmill



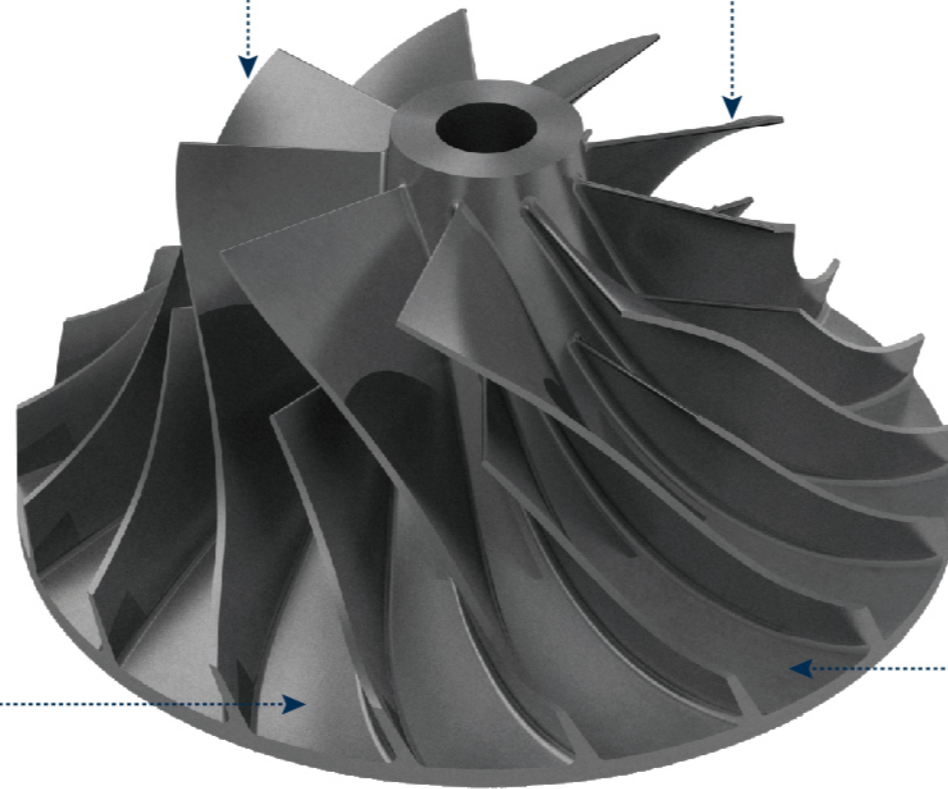
**流道开粗
Rough Milling**

- STB200锥度球头立铣刀
Taper Ball Nose Endmill
- SN200-R4高性能圆角头立铣刀
High Performance Corner Radius Endmill
- SS600 高效加工立铣刀
High Efficiency Endmill
- 摆线铣立铣刀
Trochoidal Machining Endmill



**型腔粗加工
Cavity Rough Milling**

- SDMT+MKM113快进给高效铣削
High Feed High Efficient Milling



叶根/叶型粗加工
Blade Root/Blade Profile Rough Milling

- SN200-R4高性能圆角头立铣刀
High Performance Corner Radius Endmill



叶身仿形加工
Blade Body Profile Milling

- RPMT+MPB100 仿形铣削
Profile Milling



叶根/叶型精加工
Blade Root/Blade Profile Finish Milling

- SN200-B4高性能球头立铣刀
High Performance Ball Nose Endmill
- STB200锥度球头立铣刀
Taper Ball Nose Endmill

